

Fuel System

2

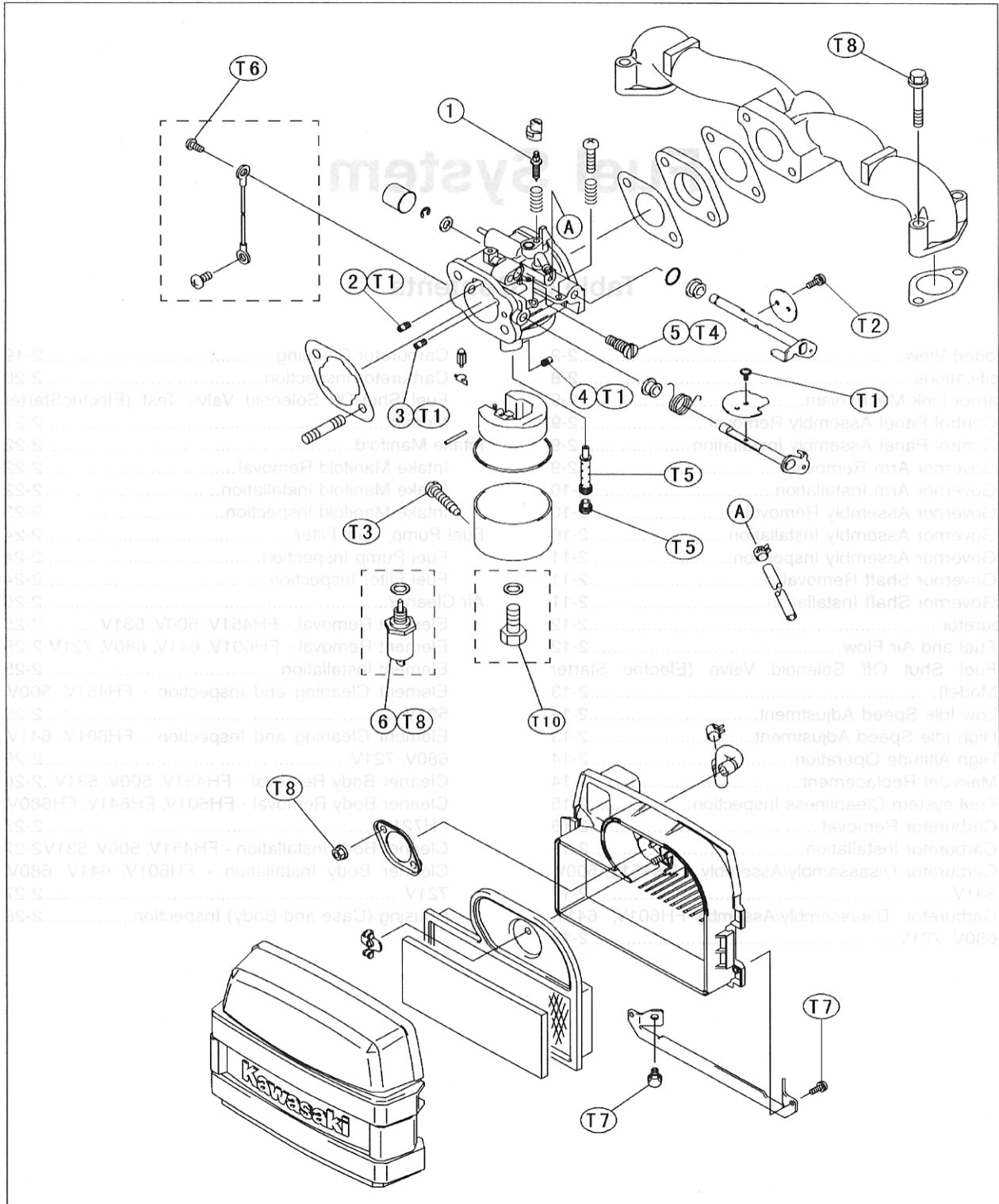
Table of Contents

Exploded View.....	2-2	Carburetor Cleaning.....	2-19
Specifications.....	2-8	Carburetor Inspection.....	2-20
Governor Link Mechanism.....	2-9	Fuel Shut-Off Solenoid Valve Test (Electric Starter Model).....	2-21
Control Panel Assembly Removal.....	2-9	Intake Manifold.....	2-22
Control Panel Assembly Installation.....	2-9	Intake Manifold Removal.....	2-22
Governor Arm Removal.....	2-9	Intake Manifold Installation.....	2-22
Governor Arm Installation.....	2-10	Intake Manifold Inspection.....	2-23
Governor Assembly Removal.....	2-10	Fuel Pump, Fuel Filter.....	2-24
Governor Assembly Installation.....	2-10	Fuel Pump Inspection.....	2-24
Governor Assembly Inspection.....	2-11	Fuel Filter Inspection.....	2-24
Governor Shaft Removal.....	2-11	Air Cleaner.....	2-25
Governor Shaft Installation.....	2-11	Element Removal - FH451V, 500V, 531V.....	2-25
Carburetor.....	2-12	Element Removal - FH601V, 641V, 680V, 721V.....	2-25
Fuel and Air Flow.....	2-12	Element Installation.....	2-25
Fuel Shut Off Solenoid Valve (Electric Starter Model).....	2-13	Element Cleaning and Inspection - FH451V, 500V, 531V.....	2-25
Low Idle Speed Adjustment.....	2-13	Element Cleaning and Inspection - FH601V, 641V, 680V, 721V.....	2-26
High Idle Speed Adjustment.....	2-13	Cleaner Body Removal - FH451V, 500V, 531V.....	2-26
High Altitude Operation.....	2-14	Cleaner Body Removal - FH601V, FH641V, FH680V, FH721V.....	2-27
Main Jet Replacement.....	2-14	Cleaner Body Installation - FH451V, 500V, 531V.....	2-27
Fuel system Cleanliness Inspection.....	2-15	Cleaner Body Installation - FH601V, 641V, 680V, 721V.....	2-27
Carburetor Removal.....	2-16	Housing (Case and Body) Inspection.....	2-28
Carburetor Installation.....	2-16		
Carburetor Disassembly/Assembly - FH451V, 500V, 531V.....	2-17		
Carburetor Disassembly/Assembly-FH601V, 641V, 680V, 721V.....	2-18		

2-2 FUEL SYSTEM

Exploded View

[FH451V, FH500V, FH531V]



TO ORDER: 800-633-0519 Fax: 888-773-0002

<Sflowers@eaglefloorsolutions.com>

Exploded View

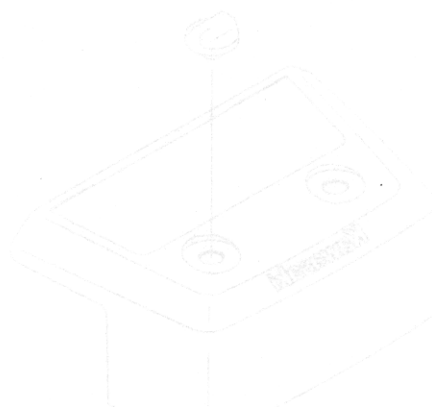
Exploded View

[FH451V, FH500V, FH531V]

[FH451V, FH500V, FH531V]

1. Pilot Screw
2. Pilot Air Jet
3. Main Air Jet
4. Main Jet
5. Pilot Jet
6. Solenoid Valve

- T1: 0.7 N·m (0.07 kg·m, 6 in·lb)
T2: 1.0 N·m (0.10 kg·m, 9 in·lb)
T3: 1.3 N·m (0.13 kg·m, 11 in·lb)
T4: 1.7 N·m (0.17 kg·m, 15 in·lb)
T5: 2.0 N·m (0.20 kg·m, 17 in·lb)
T6: 3.4 N·m (0.35 kg·m, 30 in·lb)
T7: 3.9 N·m (0.40 kg·m, 35 in·lb)
T8: 6.9 N·m (0.70 kg·m, 61 in·lb)
T9: 7.8 N·m (0.80 kg·m, 69 in·lb)
T10: 8.8 N·m (0.90 kg·m, 78 in·lb)



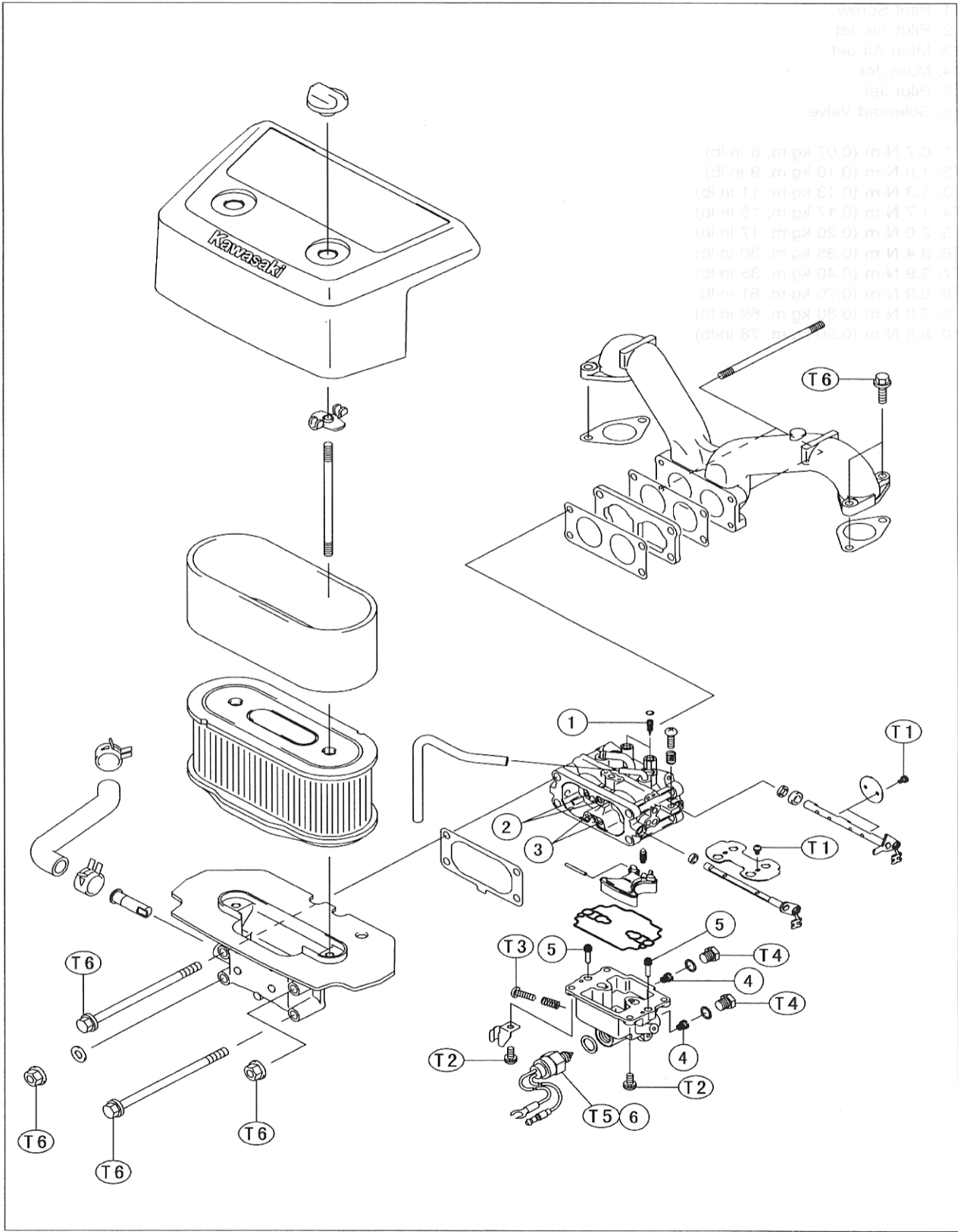
TO ORDER: 800-633-0519 Fax: 888-773-0002

<Sflowers@eaglefloorsolutions.com>

2-4 FUEL SYSTEM

Exploded View

[FH601V, FH641V, FH680V, FH721V]



TO ORDER: 800-633-0519 Fax: 888-773-0002

<Sflowers@eaglefloorsolutions.com>

Exploded View

Exploded View

[FH601V, FH641V, FH680V, FH721V]

1. Pilot Screw
2. Pilot Air Jet
3. Main Air Jet
4. Main Jet
5. Pilot Jet
6. Solenoid Valve

- T1: 1.0 N·m (0.10 kg·m, 9 in·lb)
T2: 3.9 N·m (0.40 kg·m, 35 in·lb)
T3: 2.0 N·m (0.20 kg·m, 18 in·lb)
T4: 19 N·m (1.9 kg·m, 14 ft·lb)
T5: 20 N·m (2.0 kg·m, 15 ft·lb)
T6: 6.9 N·m (0.70 kg·m, 61 in·lb)



TO ORDER: 800-633-0519 Fax: 888-773-0002

<Sflowers@eaglefloorsolutions.com>